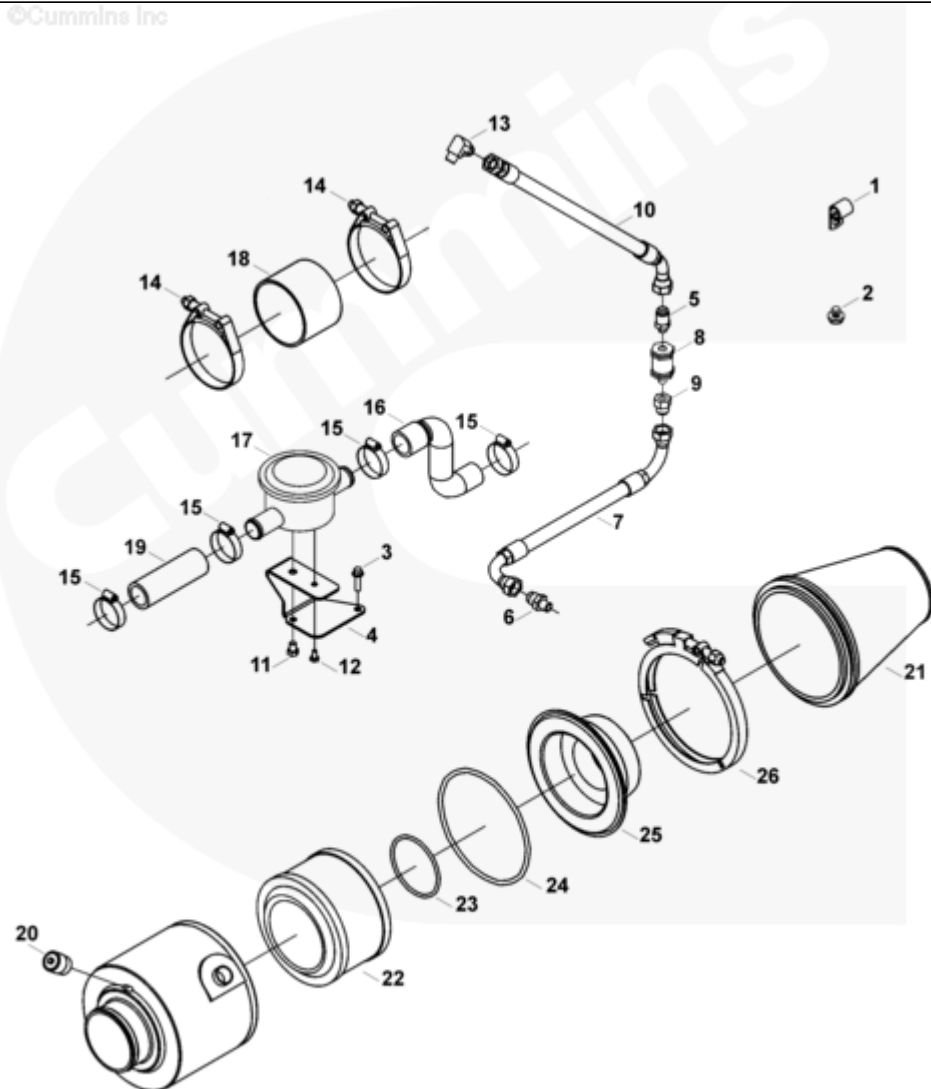




# Parts Catalog - Option Detail

Electronic Parts Catalog - Option Detail				
Option	Group	Graphic	Film Card	Date
AC9140-03	10.04	ac953gc	Z	20-JAN-04
<b>Engines</b>	6C8.3, C GAS PLUS CM556, G8.3, G8.3 CM558, GTA8.3 CM558, ISC CM2150, ISC CM554, ISC CM850, ISC8.3 CM2250, ISC8.3 G CM2180 C101, ISL CM2150, ISL CM554, ISL CM850, ISL G CM2180, ISL8.9 CM2150 L110, ISL8.9 CM2880 L112, ISL9 CM2150 SN, ISL9 CM2250, ISL9 CM2350 L101, ISL9 CM2350 L111, ISLE4 CM850, L GAS PLUS CM556, L8.9, L8.9 L121, L8.9G CMOH2.0 L125B, L9 CM2350 L116B, L9 CM2350 L119B, L9 CM2350 L120C, L9 CM2350 L123B, L9.3 L105, L9.5 L117, L9N CM2380 L124B, QSC8.3 CM2250, QSC8.3 CM2880 C102, QSC8.3 CM554, QSC8.3 CM850(CM2850), QSL9 CM2250, QSL9 CM2250 L115, QSL9 CM2350 L102, QSL9 CM2350 L107, QSL9 CM2350 L118, QSL9 CM2350 L122, QSL9 CM554, QSL9 CM850(CM2850), QSL9 G CM558, QSL9 M CM2250 L106, QSL9.3 CM2880 L113			



ab953gc

Cart	Ref No	Part Number	Part Description	Required	Remarks
View My Cart					
		<a href="#">AC9140-03</a>	Air Cleaner		<a href="#">MR - CLEANER, AIR...(More)</a>
					Engine Family: C Series
					Engine Cylinders: 6
					Aspiration: Raw Water
					Aftercooled mounting
					Mounting Location:
					From Engine Centerline
					(mm): 70.6
					From Crank Centerline (mm):
					495.9
					From Front Face of Block
					(mm): -1023.2
					Air Inlet Diameter (mm): 127
					Manufacturer: Walker
					Duty Rating: Light
					Filter Disposition: Reusable
					Restriction Indicator: Yes
					Breather Provision: CCV
<input type="checkbox"/>	1	<a href="#">216848</a>	Clip	1	
<input type="checkbox"/>	2	<a href="#">3897087</a>	Threaded Plug	1	
<input type="checkbox"/>	3	<a href="#">3900630</a>	Hexagon Flange Head Cap Screw	2	M8 X 1.25 X 20
<input type="checkbox"/>		<a href="#">3968002</a>	Air Cleaner	1	
<input type="checkbox"/>	4	<a href="#">3971067</a>	Air Cleaner Bracket	1	
<input type="checkbox"/>		<a href="#">3971169</a>	Air Cleaner	1	
<input type="checkbox"/>	5	<a href="#">3629438</a>	Male Connector	1	
<input type="checkbox"/>	6	<a href="#">3971071</a>	Male Connector	1	
<input type="checkbox"/>	7	<a href="#">3971072</a>	Flexible Hose	1	

<input type="checkbox"/>	8	<a href="#">3971073</a>	Check Valve	1	
<input type="checkbox"/>	9	<a href="#">3971939</a>	Male Connector	1	
<input type="checkbox"/>	10	<a href="#">3972805</a>	Flexible Hose	1	
<input type="checkbox"/>		<a href="#">3968003</a>	Air Cleaner	1	
	11	<a href="#">S181B</a>	Hexagon Head Cap Screw	1	3/8 - 16 x 1/2 inch
	12	<a href="#">S188C</a>	Hexagon Head Cap Screw	1	1/4 - 20 x 1/2 inch
<input type="checkbox"/>	13	<a href="#">43765</a>	Male Adapter Elbow	1	
<input type="checkbox"/>	14	<a href="#">149437</a>	T-Bolt Clamp	2	5 1/2 in.
<input type="checkbox"/>	15	<a href="#">3043487</a>	Hose Clamp	4	1 1/16 - 2 in.
<input type="checkbox"/>	16	<a href="#">3971065</a>	Molded Hose	1	
<input type="checkbox"/>	17	<a href="#">3971066</a>	Pressure Regulator Valve	1	
<input type="checkbox"/>	18	<a href="#">3971080</a>	Plain Hose	1	
<input type="checkbox"/>	19	<a href="#">3971170</a>	Plain Hose	1	
<input type="checkbox"/>		<a href="#">3971260</a>	Air Cleaner	1	Order As Parts
<input type="checkbox"/>	20	<a href="#">3971068</a>	Restriction Indicator	1	
<input type="checkbox"/>	21	<a href="#">3971069</a>	Air Cleaner Element	1	
<input type="checkbox"/>	22	<a href="#">3971070</a>	Coalescing Filter	1	
<input type="checkbox"/>	23	<a href="#">3971075</a>	O-Ring Seal	1	
<input type="checkbox"/>	24	<a href="#">3971076</a>	O-Ring Seal	1	
<input type="checkbox"/>	25	<a href="#">3971077</a>	Air Silencer	1	
<input type="checkbox"/>	26	<a href="#">3971078</a>	Air Cleaner Clamp	1	
<input type="checkbox"/>		<a href="#">3973523</a>	Filter Cleaning Kit	1	